

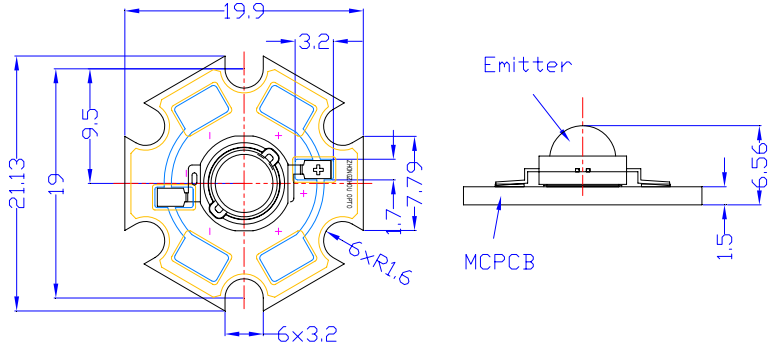
■Features

- Highest Luminous Flux
- Super Energy Efficiency
- Long Lifetime Operation
- Superior ESD protection
- Superior UV Resistance

■Applications

- Read lights (car, bus, aircraft)
- Portable (flashlight, bicycle)
- Bollards / Security / Garden
- Traffic signaling / Beacons
- In door / Out door Commercial lights
- Automotive Ext

■Outline Dimension



Unit:mm
Tolerances are for reference only

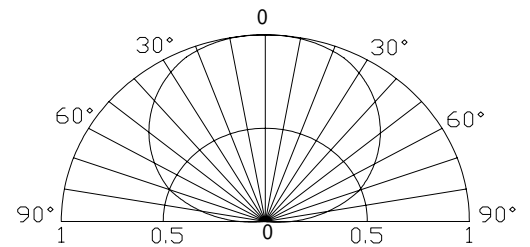
■Absolute Maximum Rating

(Ta=25 °C)

| Item | Symbol | Value | Unit |
|----------------------------|-----------|-----------|------|
| DC Forward Current | I_F | 800 | mA |
| Pulse Forward Current* | I_{FP} | 1000 | mA |
| Reverse Voltage | V_R | 5 | V |
| Power Dissipation | P_D | 3200 | mW |
| Operating Temperature | T_{opr} | -30 ~ +85 | |
| Storage Temperature | T_{stg} | -40~ +100 | |
| Lead Soldering Temperature | T_{sol} | 260 /5sec | - |

*Pulse width Max.10ms Duty ratio max 1/10

■Directivity

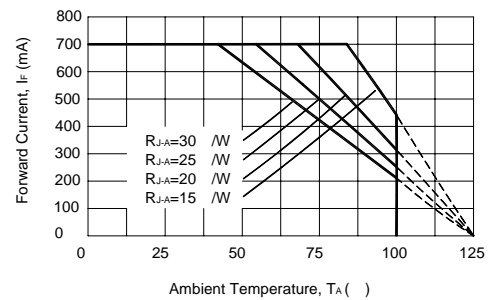


■Electrical -Optical Characteristics

(Ta=25 °C)

| Item | Symbol | Condition | Min. | Typ. | Max. | Unit |
|---------------------------|-----------------|-------------|------|------|------|---------|
| DC Forward Voltage | V_F | $I_F=350mA$ | 3.0 | 3.3 | 4.0 | V |
| | | $I_F=700mA$ | 3.5 | 3.8 | 4.5 | V |
| DC Reverse Current | I_R | $V_R=5V$ | - | - | 10 | μA |
| Luminous Flux | ν | $I_F=700mA$ | 180 | 200 | - | lm |
| Color Temperature | CCT | $I_F=700mA$ | - | 6500 | - | K |
| Chromaticity Coordinates* | x | $I_F=700mA$ | - | 0.31 | - | - |
| | y | $I_F=700mA$ | - | 0.33 | - | - |
| 50% Power Angle | $2\theta_{1/2}$ | $I_F=700mA$ | - | 140 | - | deg |

■Forward Operating Current (DC)



Note: Don't drive at rated current more than 5s without heat sink for Xeon 3 emitter series.