

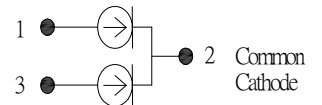
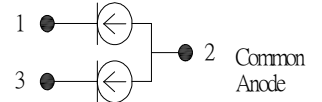
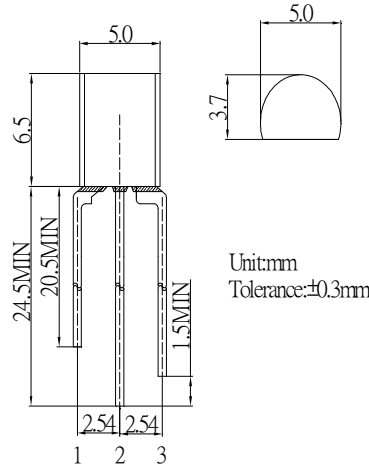
CURRENT REGULATIVE DIODE (CRD)

■ Outline Dimension

- CRD is a diode which supplies constant current to an electric circuit, when power supply voltage fluctuations or load impedance fluctuations occur.
- CRD is used for current stabilization and current limiting.
- CRD is offered on TO-92

■ Features

- Robust Power Package:460mW
- Wide Operating Voltage Range
- Immediate Turn-On
- Voltage Surge Suppressing – Protecting LEDs



■ Absolute Maximum Rating (Ta=25°C)

| Item | Symbol | Value | Unit |
|-----------------------|--------|-----------|------|
| Junction Temperature | Tj | 125 | °C |
| Storage Temperature | Tstg | -40~ +125 | °C |
| Collector Dissipation | Pc | 0.75*2 | W |

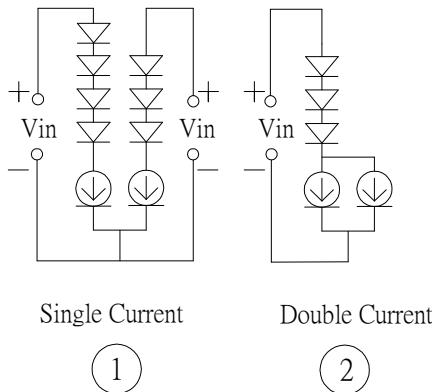
■ Electrical -Optical Characteristics (Ta=25°C)

| Part Number | Color Marking | Constant Current(IH) | | Turn-on voltage(Vk) | | .Limiting ratio (Kc) | Withstand Voltage (V) |
|-------------|----------------------|----------------------|------------|---------------------|----------|----------------------|-----------------------|
| | | IH | Voltage(v) | Vk(V) | Ik (MA) | I30v/I10v | |
| OSCRDT216-A | Light Green Diffused | 13-18 | 20 | ≤3.5 | ≤0.8IH | ≤1.1 | >70 |
| OSCRDT216-C | Light Blue Diffused | 13-18 | 20 | ≤3.5 | ≤0.8IH | ≤1.1 | >70 |
| OSCRDT235-A | Dark Green Diffused | 28-36 | 20 | ≤3.5 | ≤0.8IH | ≤1.1 | >70 |
| OSCRDT235-C | Dark Blue Diffused | 28-36 | 20 | ≤3.5 | ≤0.8IH | ≤1.1 | >70 |

■ Application

- Automobile: Chevron Side Mirror Markers, Cluster, Display & Instrument Backlighting, CHMSL, Map Light
- DC Lighting Panels, Display Signage, Decorative Lighting, Channel Lettering
- Switch Contact Wetting

■ Application Information



■ Basic characteristics

