

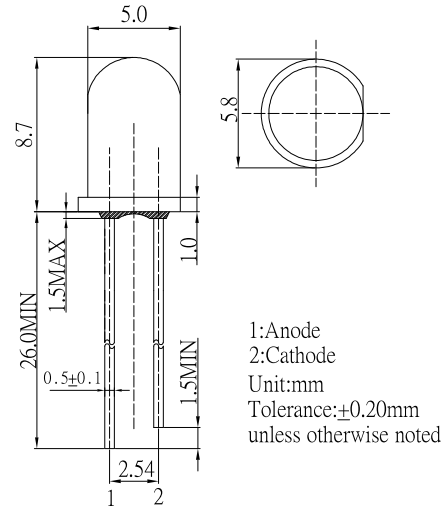
### ■ Features

- High Luminous LEDs
- 5mm Round Standard Directivity
- Superior Weather-resistance
- UV Resistant Epoxy
- Water Clear Type

### ■ Applications

- Advertising Board
- Horticulture Application
- Traffic Light / Signal Light
- Beauty product
- Other Lighting

### ■ Outline Dimension

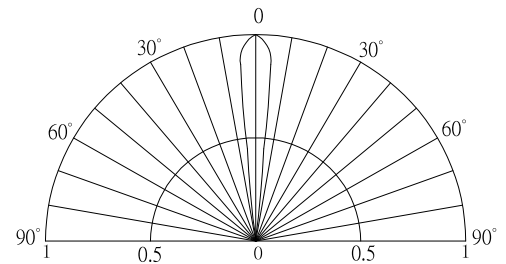


### ■ Absolute Maximum Rating

( $T_a=25^\circ\text{C}$ )

Item	Symbol	Value	Unit
DC Forward Current	$I_F$	30	mA
Pulse Forward Current*	$I_{FP}$	100	mA
Reverse Voltage	$V_R$	5	V
Power Dissipation	$P_D$	102	mW
Operating Temperature	$T_{opr}$	-30 ~ +85	$^\circ\text{C}$
Storage Temperature	$T_{stg}$	-40 ~ +100	$^\circ\text{C}$
Lead Soldering Temperature	$T_{sol}$	260 $^\circ\text{C}$ /5sec	-

### ■ Directivity



\*Pulse width Max.10ms Duty ratio max 1/10

### ■ Electrical -Optical Characteristics

( $T_a=25^\circ\text{C}$ )

Item	Symbol	Condition	Min.	Typ.	Max.	Unit
DC Forward Voltage	$V_F$	$I_F=30\text{mA}$	2.7	2.9	3.4	V
DC Reverse Current	$I_R$	$V_R=5\text{V}$	-	-	10	$\mu\text{A}$
Luminous Flux	$\Phi_v$	$I_F=30\text{mA}$	9	10	-	lm
Luminous Intensity*	$I_v$	$I_F=30\text{mA}$	85	100	-	cd
Domi. Wavelength*	$\lambda_b$	$I_F=30\text{mA}$	520	525	530	nm
50% Power Angle	$2\theta_{1/2}$	$I_F=30\text{mA}$	-	15	-	deg

\*1 Tolerance of measurements of dominant wavelength is  $\pm 1$  nm

\*2 Tolerance of measurements of luminous intensity is  $\pm 15\%$

\*3 Tolerance of measurements of forward voltage is  $\pm 0.1$  V