

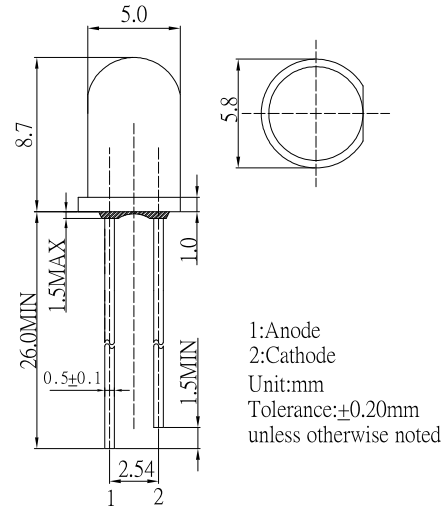
**■ Features**

- High Luminous LEDs
- 5mm Round Standard Directivity
- Superior Weather-resistance
- UV Resistant Epoxy
- Water Clear Type

**■ Applications**

- Advertising Board
- Horticulture Application
- Traffic Light / Signal Light
- Beauty product
- Other Lighting

**■ Outline Dimension**

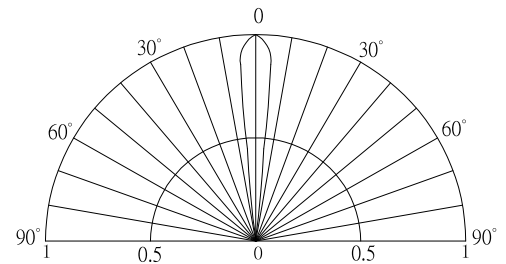


**■ Absolute Maximum Rating (Ta=25°C)**

| Item                       | Symbol    | Value      | Unit |
|----------------------------|-----------|------------|------|
| DC Forward Current         | $I_F$     | 30         | mA   |
| Pulse Forward Current*     | $I_{FP}$  | 100        | mA   |
| Reverse Voltage            | $V_R$     | 5          | V    |
| Power Dissipation          | $P_D$     | 78         | mW   |
| Operating Temperature      | $T_{opr}$ | -30 ~ +85  | °C   |
| Storage Temperature        | $T_{stg}$ | -40 ~ +100 | °C   |
| Lead Soldering Temperature | $T_{sol}$ | 260°C/5sec | -    |

\*Pulse width Max.10ms Duty ratio max 1/10

**■ Directivity**



**■ Electrical -Optical Characteristics (Ta=25°C)**

| Item                | Symbol          | Condition  | Min. | Typ. | Max. | Unit |
|---------------------|-----------------|------------|------|------|------|------|
| DC Forward Voltage  | $V_F$           | $I_F=30mA$ | 1.8  | 2.1  | 2.6  | V    |
| DC Reverse Current  | $I_R$           | $V_R=5V$   | -    | -    | 10   | μA   |
| Luminous Flux       | $\Phi_v$        | $I_F=30mA$ | 3.5  | 4.5  | -    | lm   |
| Luminous Intensity* | $I_v$           | $I_F=30mA$ | 22   | 25   | -    | cd   |
| Domi. Wavelength*   | $\lambda_b$     | $I_F=30mA$ | 620  | 625  | 630  | nm   |
| 50% Power Angle     | $2\theta_{1/2}$ | $I_F=30mA$ | -    | 15   | -    | deg  |

\*1 Tolerance of measurements of dominant wavelength is ±1nm

\*2 Tolerance of measurements of luminous intensity is ±15%

\*3 Tolerance of measurements of forward voltage is ±0.1V