

CURRENT REGULATIVE LED

CRLED

- CRLED is LED which supplies constant current to keep LED Intensity Consistency even when power supply voltage fluctuations or load impedance fluctuations occur.

- CRLED is used with current stabilization and current limiting

■ Features

- High Luminous LEDs / 5mm Round Standard Directivity
- Superior Weather-resistance / UV Resistant Epoxy
- Water Clear Type

■ Absolute Maximum Rating

(Ta=25°C)

Item	Symbol	Value	Unit
DC Forward Voltage	V _F	20	V
Power Dissipation	P _D	350	mW
Operating Temperature	T _{opr}	-30 ~ +85	°C
Storage Temperature	T _{stg}	-40 ~ +100	°C
Lead Soldering Temperature	T _{sol}	260°C/5sec	-

■ Electrical -Optical Characteristics

(Ta=25°C)

Part Number	Color	V _F (V)		I _F (mA)			I _R (μA)	I _v (mcd)*			λD(nm)*			2θ1/2(deg)
		Min	Max	Min	Typ.	Max.	Max..	Min.	Typ.	Max.	Min.	Typ.	Max.	Typ.
LP-W5DK5111A-CRLED18	White	5.5	20		18	-	10	-	18000	-	X=0.27, Y=0.28			15
LP-M5DK5111A- CRLED18	Warm White	5.5	20		18	-	10	-	14400	-	X=0.45, Y=0.41			15
LP-K5DK5111A- CRLED18	Pink	5.5	20		18	-	10	-	4200	-	X=0.45, Y=0.17			15
LP-B64L5111A- CRLED18	Ice Blue	5.5	20		18	-	10	-	18000	-	X=0.19, Y=0.29			15
LP-B5SA5111A-CRLED18	Blue	5.5	20		18	-	10	-	12000	-	465	470	475	15
LP-G5DA5111A-CRLED18	Pure Green	5.5	20		18	-	10	-	22000	-	520	525	530	15
LP-G8NU5111A- CRLED18	Yellow Green	5	20		18	-	10	-	900	-	565	570	575	15
LP-Y5JA5111A- CRLED18	Yellow	5	20		18	-	10	-	3000	-	585	590	595	15
LP-Y5MA5111A- CRLED18	Yellow	5	20		18	-	10	-	14400	-	585	590	595	15
LP-O5JA5111A- CRLED18	Orange	5	20		18	-	10	-	4200	-	600	605	610	15
LP-R5JA5111A- CRLED18	Red	5	20		18	-	10	-	3000	-	620	625	630	15
LP-R5MA5111A- CRLED18	Red	5	20		18	-	10	-	14400	-	620	625	630	15

*1 Tolerance of measurements of chromaticity coordinate is ±10%

*2 Tolerance of measurements of dominant wavelength is ±1nm

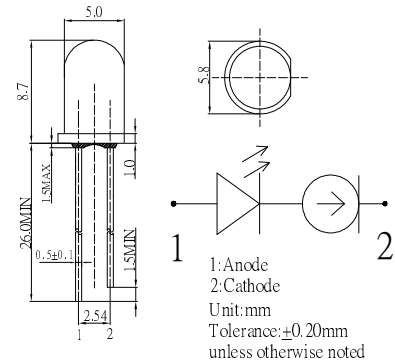
*3 Tolerance of measurements of luminous intensity is ±15%

*4 Tolerance of measurements of forward voltage is ±0.1V

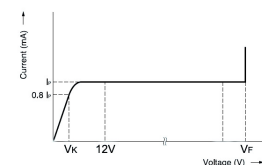
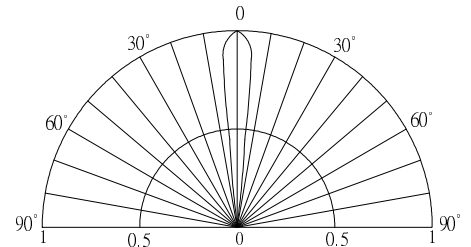
■ Applications

- Electronic Signs And Signals/ Small Area Illuminations
- Back Lighting/ Toys/ Other Lighting

■ Outline Dimension



■ Directivity

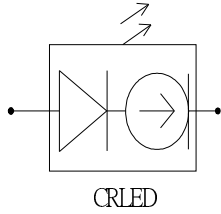


Explanation of terms
I_p Pinch-off current at 12V
V_k Voltage which produces 0.8Ip or greater current
V_F Breakdown voltage

Current Regulative LED
5mm Round LED
OSXXXX5111A-CRLED18
VER A.1

■ **Typical Applications**

1: Single LED



2: Multi- LEDs in series

