

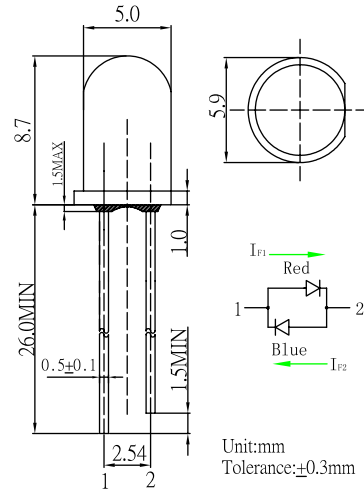
**■Features**

- High Luminous LEDs
- 5mm Round Standard Directivity
- Long Lifetime Operation
- Superior Weather-resistance
- UV Resistant Epoxy/ White diffused Type

**■Applications**

- Toys
- Audio
- Games
- Other Lighting

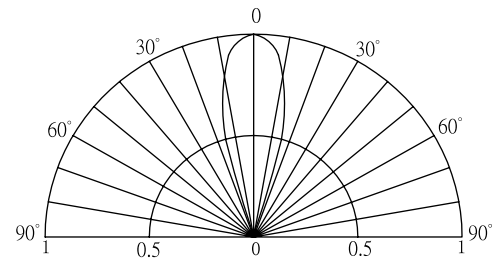
**■Outline Dimension**



**■Absolute Maximum Rating (Ta=25°C)**

Item	Symbol	Value		Unit
		RED	BL	
DC Forward Current	$I_F$	30	30	mA
Pulse Forward Current*	$I_{FP}$	100	100	mA
Reverse Voltage	$V_R$	5	5	V
Power Dissipation	$P_D$	78	108	mW
Operating Temperature	Topr	-30 ~ +85		°C
Storage Temperature	Tstg	-40 ~ +100		°C
Lead Soldering Temperature	Tsol	260°C/5sec		-

**■Directivity**



\*Pulse width Max.10ms Duty ratio max 1/10

**■Electrical -Optical Characteristics (Ta=25°C)**

Item	Color.	Symbol	Condition	Min.	Typ.	Max.	Unit
DC Forward Voltage	RED	$V_{F1}$	$I_{F1}=20mA$	1.8	2.1	2.6	V
	BL	$V_{F2}$	$I_{F2}=20mA$	2.8	3.1	3.6	V
Domi. Wavelength*	RED	$\lambda_{D1}$	$I_{F1}=20mA$	620	625	630	nm
	BL	$\lambda_{D2}$	$I_{F2}=20mA$	465	470	475	nm
Luminous Intensity*	RED	$I_{v1}$	$I_{F1}=20mA$	1120	1560	-	mcd
	BL	$I_{v2}$	$I_{F2}=20mA$	1120	1560	-	mcd
50%Power Angle	RED	$2\theta_{1/2}$	$I_{F1}=20mA$	-	30	-	deg
	BL	$2\theta_{1/2}$	$I_{F2}=20mA$	-	30	-	deg

\*Tolerance of dominant chromaticity is ±10%

\*2 Tolerance of luminous intensity is ±15%