

### ■Features

- High Luminous LEDs
- 5mm Round Standard Directivity
- Long Lifetime Operation
- Superior Weather-resistance
- Water Clear Type

### ■Applications

- Backlighting (switches, keys, displays, illuminated advertising etc.)
- Substitution of Micro Incandescent Lamps
- Reading Lamps / Emergency Lighting
- Marker lights (e.g. steps, exit ways, etc.)
- Other Lighting

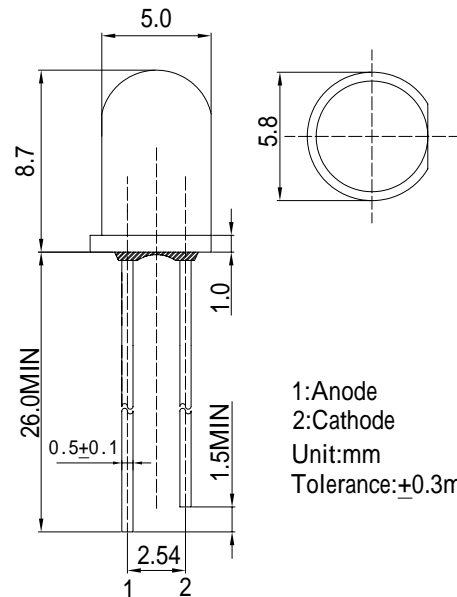
### ■Absolute Maximum Rating

(Ta=25 )

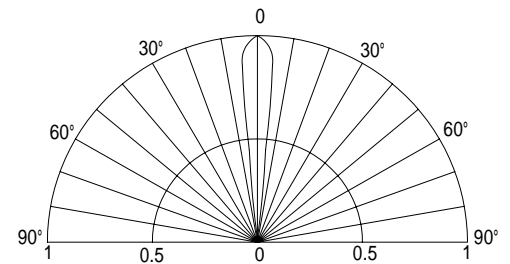
| Item                       | Symbol    | Value      | Unit |
|----------------------------|-----------|------------|------|
| DC Forward Current         | $I_F$     | 30         | mA   |
| Pulse Forward Current*     | $I_{FP}$  | 100        | mA   |
| Reverse Voltage            | $V_R$     | 5          | V    |
| Power Dissipation          | $P_D$     | 108        | mW   |
| Operating Temperature      | $T_{opr}$ | -30 ~ +85  |      |
| Storage Temperature        | $T_{stg}$ | -40 ~ +100 |      |
| Lead Soldering Temperature | $T_{sol}$ | 260 /5sec  | -    |

\*Pulse width Max.10ms Duty ratio max 1/10

### ■Outline Dimension



### ■Directivity



### Electrical -Optical Characteristics

(Ta=25 )

| Item                      | Symbol          | Condition  | Min.  | Typ.  | Max. | Unit    |
|---------------------------|-----------------|------------|-------|-------|------|---------|
| DC Forward Voltage        | $V_F$           | $I_F=20mA$ | 2.9   | 3.1   | 3.6  | V       |
| DC Reverse Current        | $I_R$           | $V_R=5V$   | -     | -     | 10   | $\mu A$ |
| Luminous Intensity*       | $I_v$           | $I_F=20mA$ | 20000 | 22000 | -    | mcd     |
| Luminous Flux*            | $\Phi_v$        | $I_F=20mA$ | 6.5   | 7.0   | -    | lm      |
| Chromaticity Coordinates* | x               | $I_F=20mA$ | -     | 0.35  | -    |         |
|                           | y               | $I_F=20mA$ | -     | 0.50  | -    |         |
| 50% Power Angle           | $2\theta_{1/2}$ | $I_F=20mA$ | -     | 15    | -    | deg     |

\*1 Tolerance of chromaticity coordinate is ±10%

\*2 Tolerance of luminous is ±15%