

### ■Features

- High Luminous LEDs
- 3mm Round Standard Directivity
- Long Lifetime Operation
- Superior Weather-resistance
- Water Clear Type

### ■Applications

- Backlighting (switches, keys, displays, illuminated advertising etc.)
- Substitution of Micro Incandescent Lamps
- Reading Lamps / Emergency Lighting
- Marker lights (e.g. steps, exit ways, etc.)
- Other Lighting

### ■Absolute Maximum Rating

(Ta=25°C)

Item	Symbol	Value	Unit
DC Forward Current	$I_F$	30	mA
Pulse Forward Current*	$I_{FP}$	100	mA
Reverse Voltage	$V_R$	5	V
Power Dissipation	$P_D$	108	mW
Operating Temperature	$T_{opr}$	-30 ~ +85	°C
Storage Temperature	$T_{stg}$	-40 ~ +100	°C
Lead Soldering Temperature	$T_{sol}$	260°C/5sec	-

\*Pulse width Max.10ms Duty ratio max 1/10

### ■Electrical -Optical Characteristics

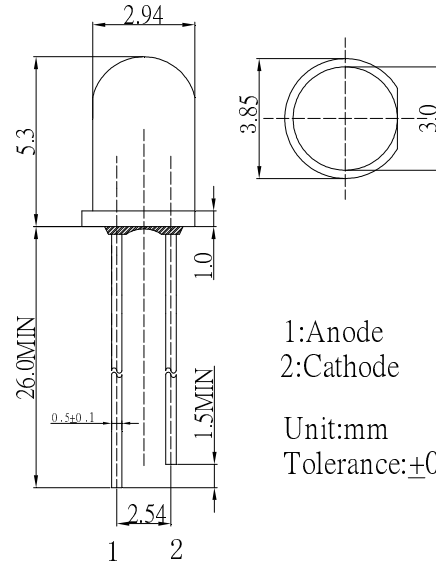
(Ta=25°C)

Item	Symbol	Condition	Min.	Typ.	Max.	Unit
DC Forward Voltage	$V_F$	$I_F=20mA$	2.9	3.1	3.6	V
DC Reverse Current	$I_R$	$V_R=5V$	-	-	10	$\mu A$
Luminous Intensity*	$I_v$	$I_F=20mA$	10000	12000	-	mcd
Luminous Flux*	$\Phi_v$	$I_F=20mA$	5.0	6.0	-	lm
Chromaticity Coordinates*	x	$I_F=20mA$	-	0.19	-	
	y	$I_F=20mA$	-	0.29	-	
50% Power Angle	$2\theta_{1/2}$	$I_F=20mA$	-	30	-	deg

\*1 Tolerance of chromaticity coordinate is  $\pm 10\%$

\*2 Tolerance of luminous is  $\pm 15\%$

### ■Outline Dimension



1: Anode  
2: Cathode

Unit:mm  
Tolerance: $\pm 0.3mm$

### ■Directivity

