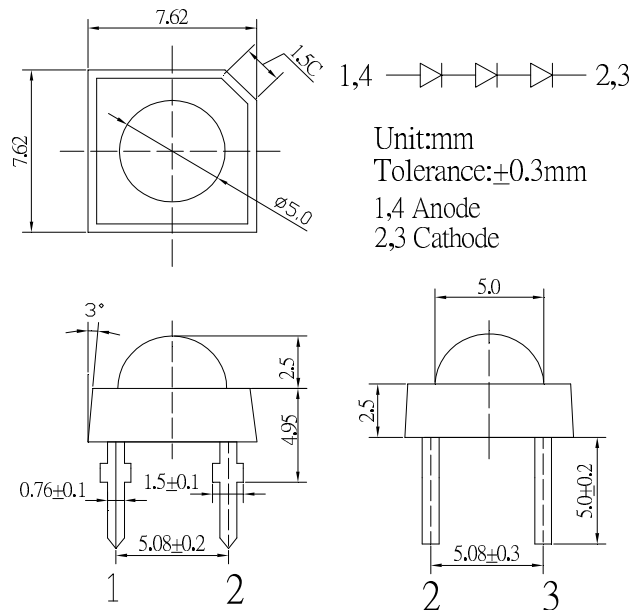


■Features

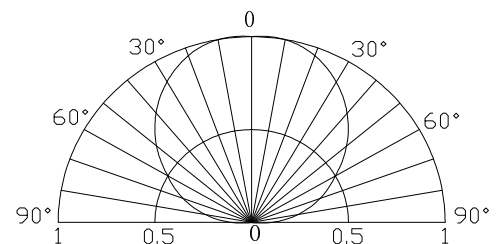
- High Luminous Super Flux Output
- 5 ° Standard Directivity
- Long Lifetime Operation
- Superior Weather-resistance
- UV Resistant Epoxy
- Water Clear Type

■Applications

- Interior and exterior automotive lighting
(e.g. dashboard backlighting etc.)
- Backlighting (Illuminated advertising, general lighting, etc)
- Decorative Lighting
- Other Lighting

■Outline Dimension

■Absolute Maximum Rating
(Ta=25°C)

| Item | Symbol | Value | Unit |
|----------------------------|-----------|------------|------|
| DC Forward Current | I_F | 30 | mA |
| Pulse Forward Current* | I_{FP} | 100 | mA |
| Reverse Voltage | V_R | 15 | V |
| Power Dissipation | P_D | 324 | mW |
| Operating Temperature | T_{opr} | -30 ~ +85 | °C |
| Storage Temperature | T_{stg} | -40 ~ +100 | °C |
| Lead Soldering Temperature | T_{sol} | 260°C/5sec | - |

■Directivity


*Pulse width Max.10ms Duty ratio max 1/10

■Electrical -Optical Characteristics
(Ta=25°C)

| Item | Symbol | Condition | Min. | Typ. | Max. | Unit |
|---------------------|-----------------|------------|------|------|------|------|
| DC Forward Voltage | V_F | $I_F=20mA$ | 8.7 | 9.3 | 10.8 | V |
| DC Reverse Current | I_R | $V_R=15V$ | - | - | 10 | μA |
| Domi. Wavelength* | λ_D | $I_F=20mA$ | 465 | 470 | 475 | nm |
| Luminous Intensity* | I_v | $I_F=20mA$ | 2500 | 3500 | - | mcd |
| 50% Power Angle | $2\theta_{1/2}$ | $I_F=20mA$ | - | 120 | - | deg |

*1 Tolerance of dominant wavelength is ±1nm

*2 Tolerance of luminous intensity is ±15%