

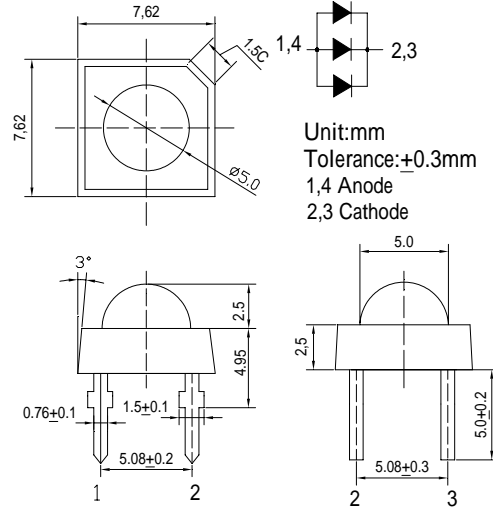
**■Features**

- High Luminous Super Flux Output
- Superior Weather-resistance
- UV Resistant Epoxy
- Long Lifetime Operation
- Water Clear Type

**■Applications**

- General Purpose Indicators
- Small Area Illuminations
- Back Lighting
- Other Lighting

**■Outline Dimension**



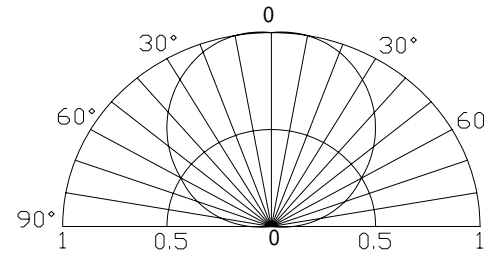
**■Absolute Maximum Rating**

(Ta=25 )

Item	Symbol	Value	Unit
DC Forward Current	I <sub>F</sub>	90	mA
Pulse Forward Current*	I <sub>FP</sub>	180	mA
Reverse Voltage	V <sub>R</sub>	5	V
Power Dissipation	P <sub>D</sub>	324	mW
Operating Temperature	Topr	-30 ~ +85	
Storage Temperature	Tstg	-40 ~ +100	
Lead Soldering Temperature	Tsol	260 / 5sec	-

\*Pulse width Max.10ms , Duty ratio max 1/10

**■Directivity**



**Electrical -Optical Characteristics**

(Ta=25 )

Item	Symbol	Condition	Min.	Typ.	Max.	Unit
DC Forward Voltage	V <sub>F</sub>	I <sub>F</sub> =90mA	2.9	3.1	3.6	V
DC Reverse Current	I <sub>R</sub>	V <sub>R</sub> =5V	-	-	30	μA
Luminous Flux*	v	I <sub>F</sub> =90mA	35	40	-	lm
		I <sub>F</sub> =60mA	24	27	-	
Color Temperature	CCT	I <sub>F</sub> =90mA	-	8000	-	K
Chromaticity Coordinates*	x	I <sub>F</sub> =90mA	-	0.29	-	
	y	I <sub>F</sub> =90mA	-	0.32	-	
50% Power Angle	2θ <sub>1/2</sub>	I <sub>F</sub> =90mA	-	120	-	deg

\*1 Tolerance of chromaticity coordinates is ±10%

\*2 Tolerance of luminous Flux is ±15%